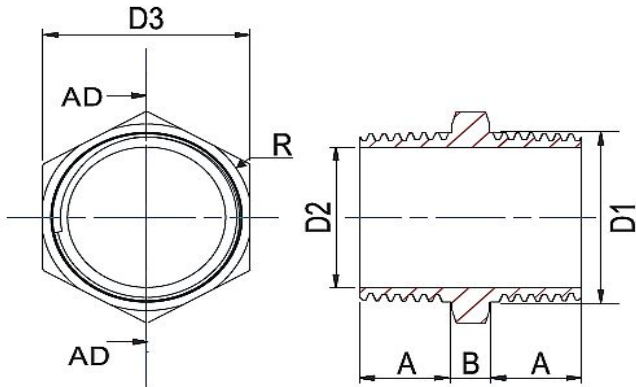




**STAINLESS STEEL LIGHT TYPE SCREWED FITTINGS
BSPP (ISO 228-1), BSPT (ISO 7-1), NPT THREAD**

DIMENSION: LIGHT TYPE
MATERIAL CONFORM TO ASTM A351 GR. CF8 & CF8M
PRESSURE-TEMPERATURE RATINGS 300 PSI (-29 TO 66°C)
MADE BY LOST WAX INVESTMENT CASTING



HEX NIPPLE

**Economic
Pattern**

SIZE	D1 (inch)	D2 (mm)	D3 (mm)	A (mm)	B (mm)	R (mm)	Weight (Kg/Pc)
½"	½"	16.5	22.0	14.0	5.0	0.5	0.02
¾"	¾"	21.6	27.5	14.0	5.5	0.5	0.04
1"	1"	27.5	36.0	16.0	6.5	0.5	0.07
1¼"	1¼"	36.2	44.5	17.0	6.5	1.0	0.09
1½"	1½"	41.8	49.5	18.0	6.5	1.0	0.11
2"	2"	53.5	62.0	19.5	6.5	1.0	0.15